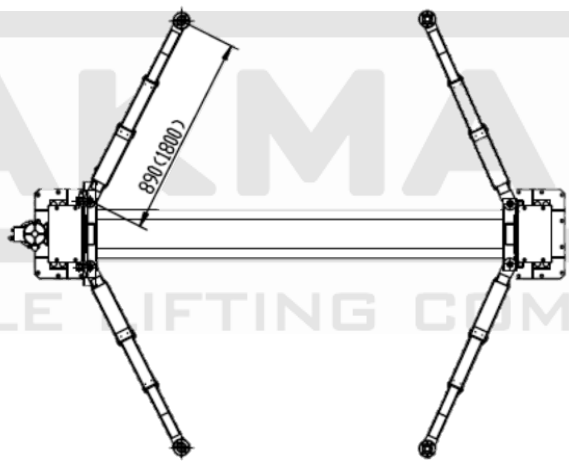
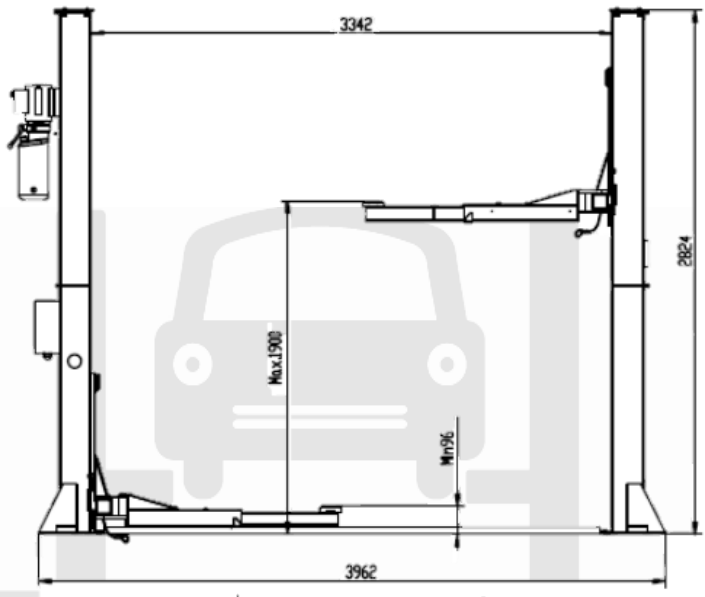


- 5 Tonne lifting capacity
- Single point, electrical release
- 3-Stage, adjustable arms
- Height adjustable lifting pads
- Available in single or three phase





OAKMAIN
 VEHICLE LIFTING COMPANY



3-Stage arms



Height adjustable lifting pads



Single point, electrical safety lock release



Beam arm



Toe protection